


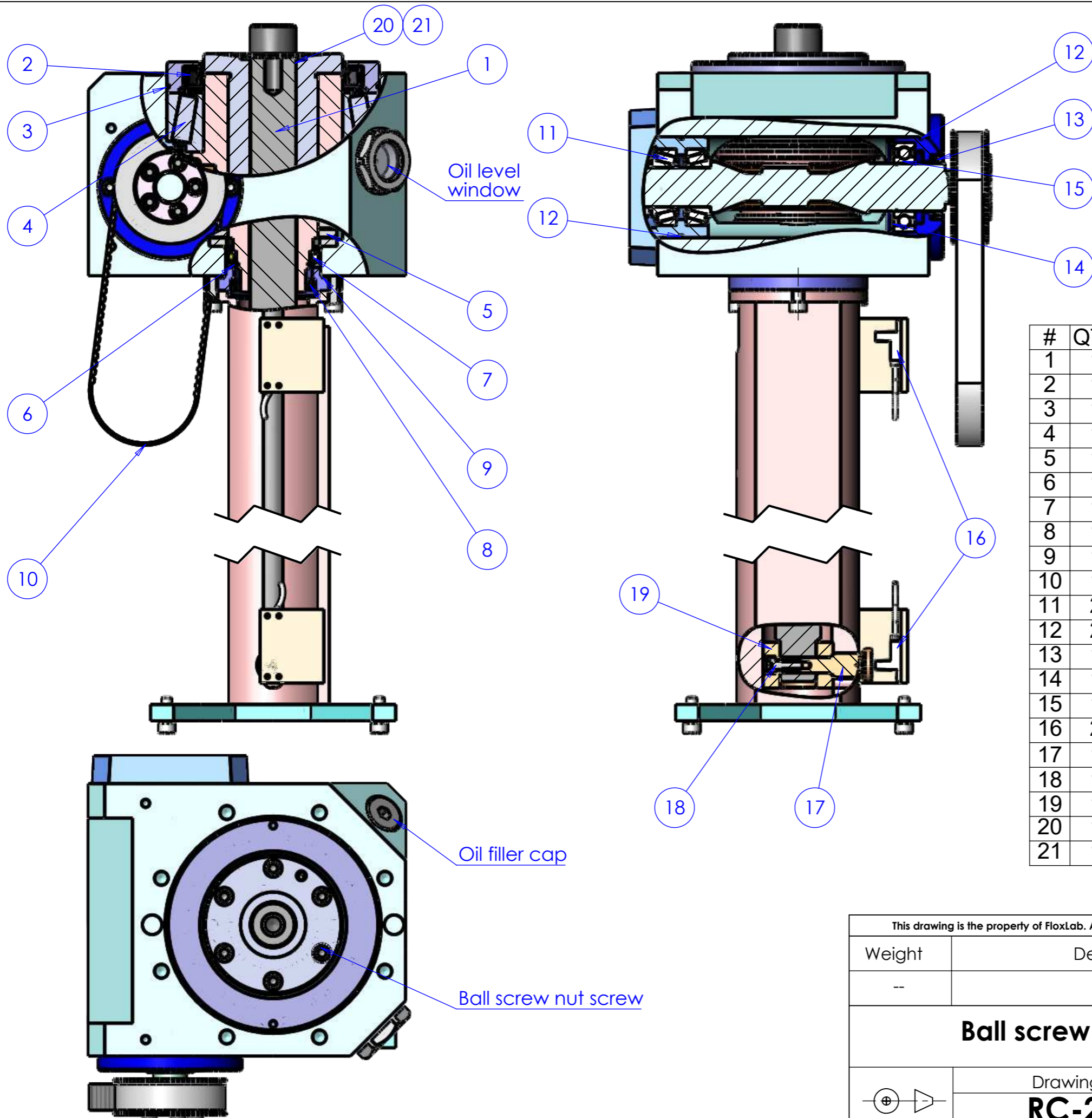
#	QTY	REFERENCE
1	1	0022806 - Lateral left sheet
2	1	0022807 - Lateral right sheet
3	1	Panel PC 6"
4	1	Carte floxio - DEVA2V
5	1	Speed drive Flexipro - FPRO-4D5
6	1	Power supply 24V
7	1	Fan 60x60x25 24V
8	1	Fan screen 60x60
9	1	Bottle 1L
10	1	Screw cap GL 45PP 2port GL14
11	1	Screw cap GL GL14 for hose connection
12	2	Insert for screw cap GL14 3.2mm
13	1	Fuse 5x20 2.5A

This drawing is the property of FloxLab. All unauthorized acts of copying, distribution or any other kind of use is prohibited

Weight	Designation	Draw by:	Date	Scale
--	ASM	DP	03/21	1:5 A3

Frame master pump	
Drawing number	Folio
FC-0101-X	1

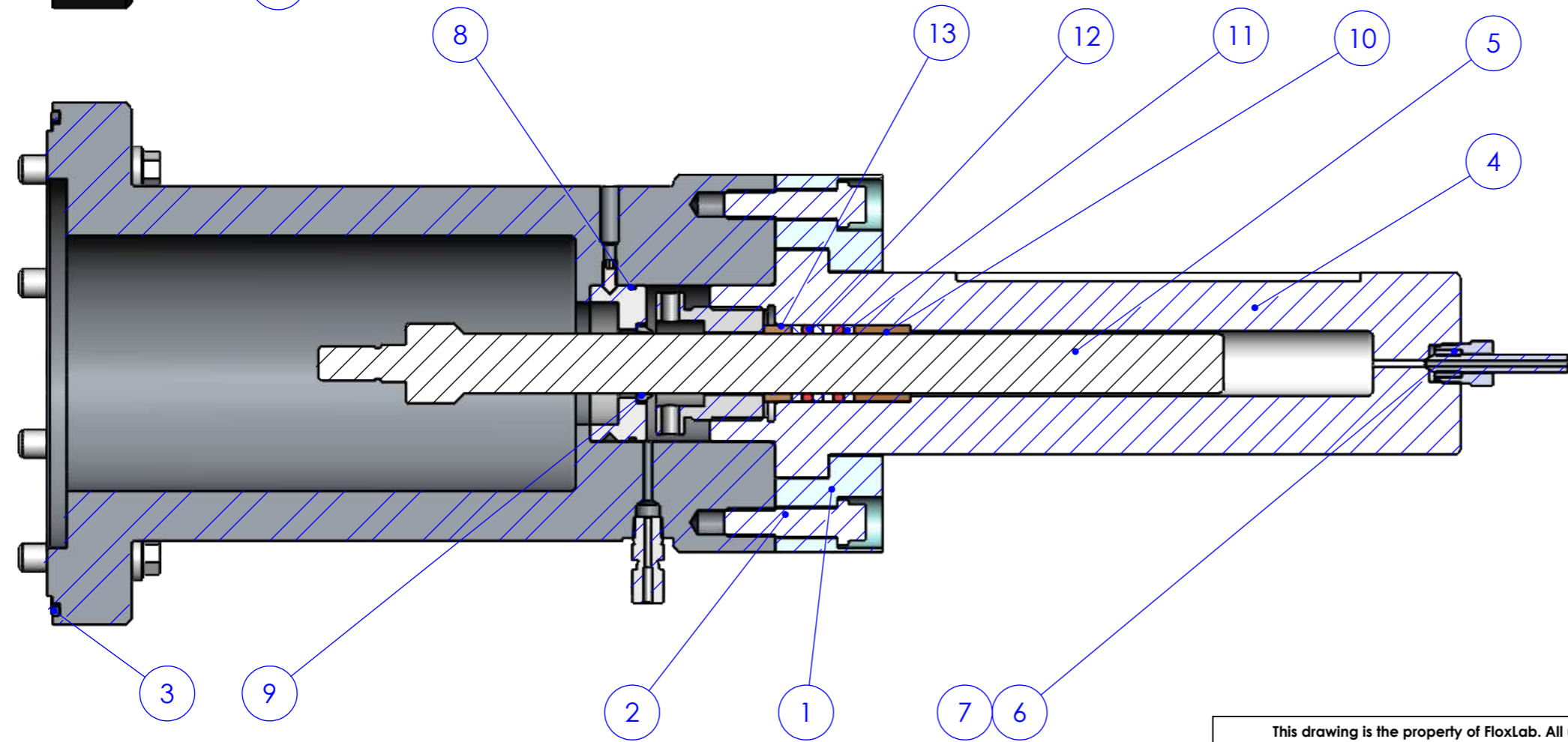
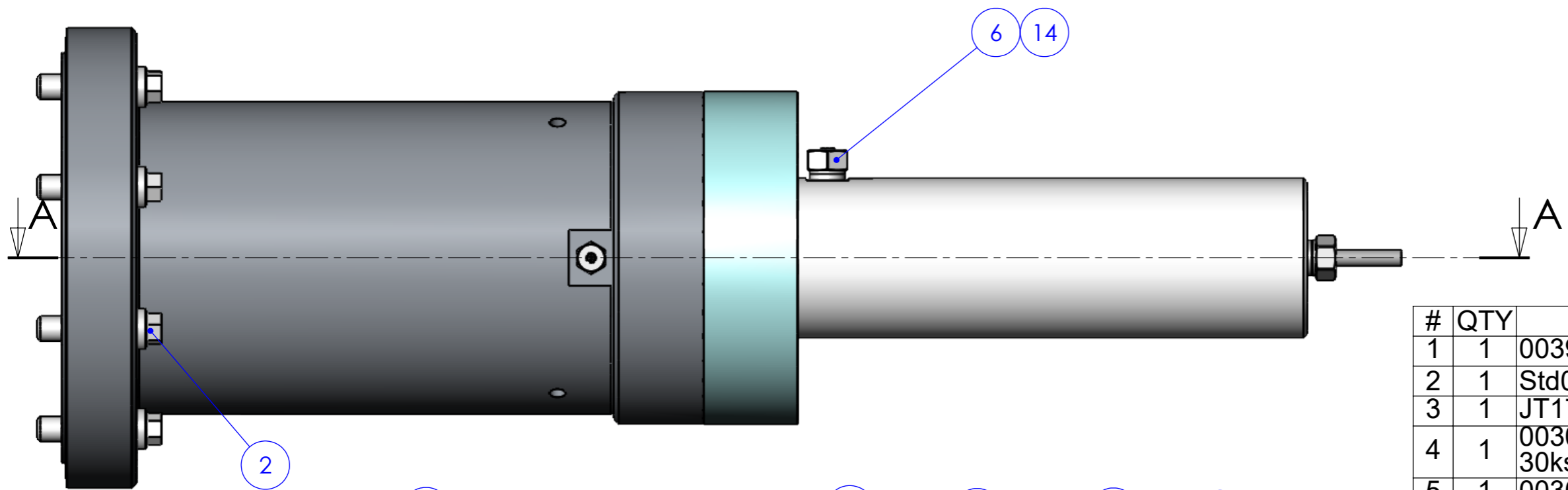




#	QTY	REFERENCE
1	1	0022848 - Drawing ball 28x6 lg:450
2	1	Lipseal 85x110x12
3	1	JT120.37x1.78V - O-ring
4	1	Conical bearing 85x100x36
5	1	Roller thrust bearing 55x78x16
6	1	Retaining ring Ø45
7	1	Ball bearing 45x58x7
8	1	Lipseal 40x52x7
9	1	JT60.05x1.78V - O-ring
10	1	Toothed belt AT5 lg:455
11	2	Conical bearing 25x47x15
12	2	JT56.87x1.78V - O-ring
13	1	Lipseal 30x40x7
14	1	Retaining ring Ø55
15	1	Ball ring 30x55x13
16	2	Optical fork 5mm
17	1	0022834 - Antirotation
18	1	Screw CHC M6x16 - SS
19	1	0022832 - Anti flexion
20	1	R2806XU - Labyrinth seal
21	1	C28 - Seal stopper

This drawing is the property of FloxLab. All unauthorized acts of copying, distribution or any other kind of use is prohibited

Weight	Designation	Draw by:	Date	Scale
--	ASM	DP	03/21	2:5 A3
Ball screw reductor				
⊕	Drawing number	Folio		
RC-204-X		1		



COUPE A-A


#	QTY	REFERENCE
1	1	0039313 - Body pump cover
2	1	Std0038265 - Screw H M10x40
3	1	JT171.04x3.53-V75 - O-ring
4	1	0030773 - Body pump SS Ø21 50cc 30ksi plunger
5	1	0030617 - Plunger piston SS Ø21
6	1	Gland 1/4HP
7	1	Ferrule 1/4HP
8	1	JT50.52x1.78-V - O-ring
9	1	Wiper seal Ø21
10	1	0030774 - Ring support Ø21
11	4	0024567 - Parbak piston Ø21id PTFE
12	2	JT20.22x3.53-PH - O-ring
13	1	0024967 - Spacer packing Ø21
14	1	Plug 1/4HP SS

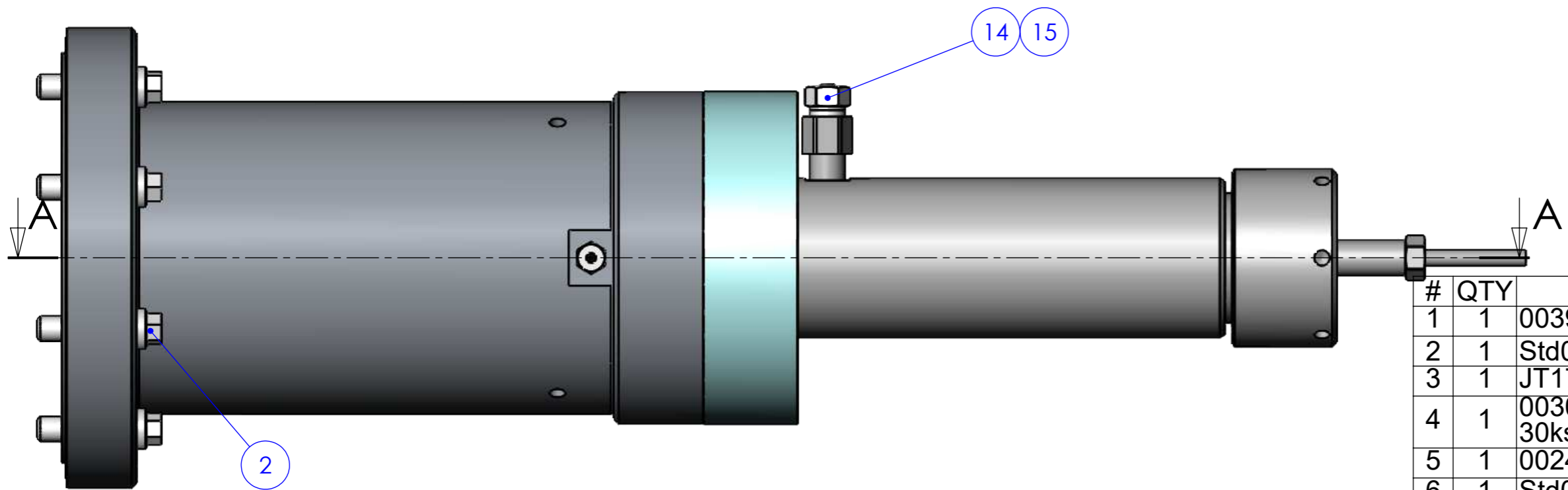
This drawing is the property of FloxLab. All unauthorized acts of copying, distribution or any other kind of use is prohibited

Weight	Designation	Draw by:	Date	Scale
--	ASM	DP	03/21	1:2 A3

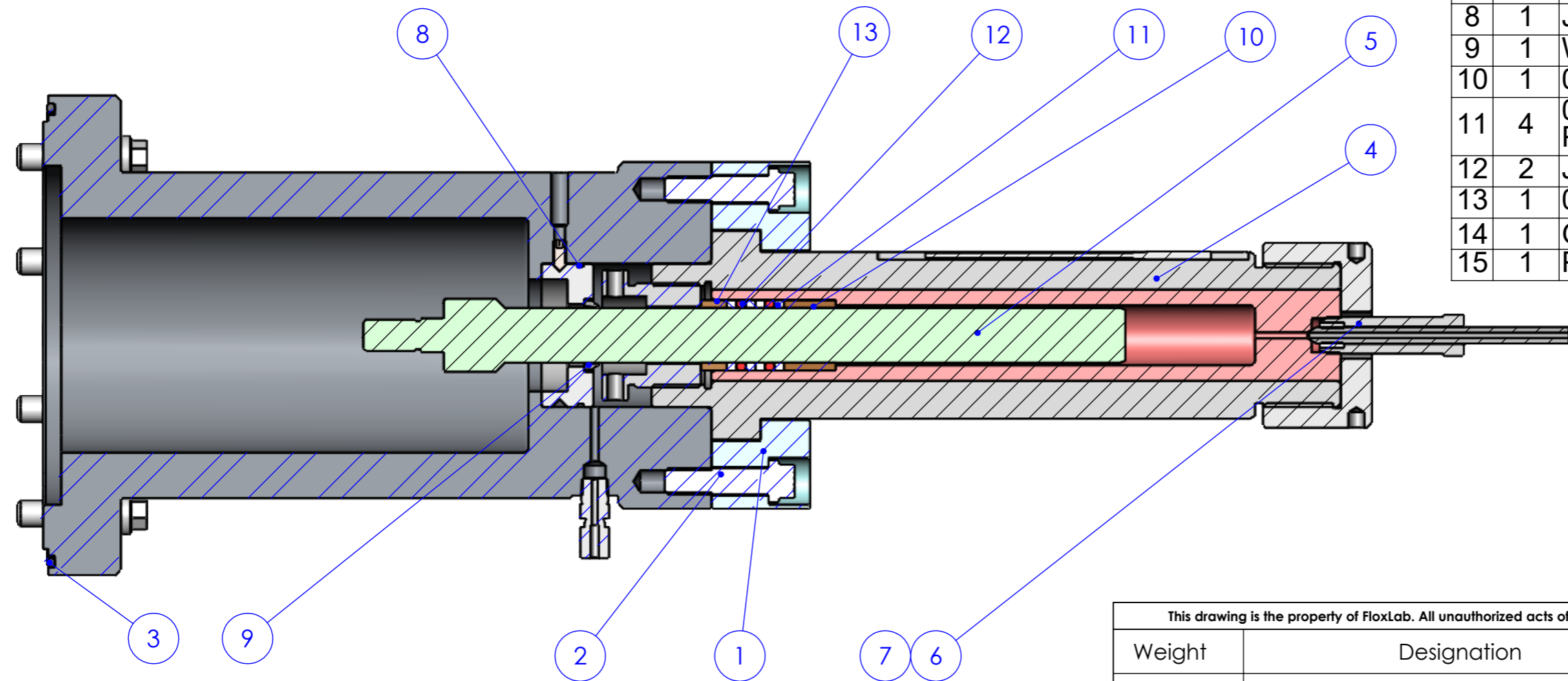
Cylinder SS plunger Ø21 50cc 30ksi

	Drawing number	Folio
	CC-406-X	2





#	QTY	REFERENCE
1	1	0039313 - Body pump cover
2	1	Std0038265 - Screw H M10x40
3	1	JT171.04x3.53-V75 - O-ring
4	1	0030775 - Body pump H Ø21 50cc 30ksi plunger
5	1	0024968 - Plunger piston H Ø21
6	1	Std0031629 - Gland 1/4HP long
7	1	Ferrule 1/4HP
8	1	JT50.52x1.78-V - O-ring
9	1	Wiper seal Ø21
10	1	0030774 - Ring support Ø21
11	4	0024567 - Parbak piston Ø21id PTFE
12	2	JT20.22x3.53-PH - O-ring
13	1	0024967 - Spacer packing Ø21
14	1	Gland 1/4HP
15	1	Plug 1/4HP SS




COUPE A-A

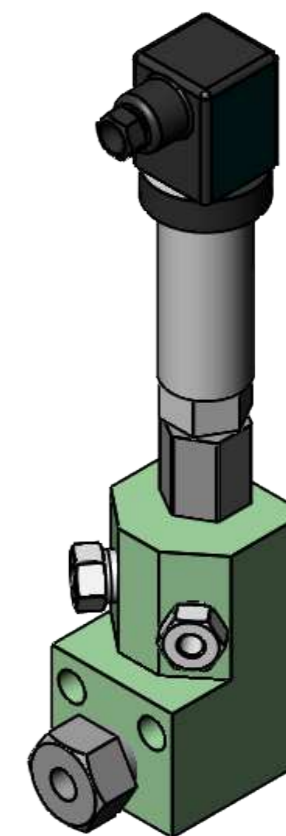
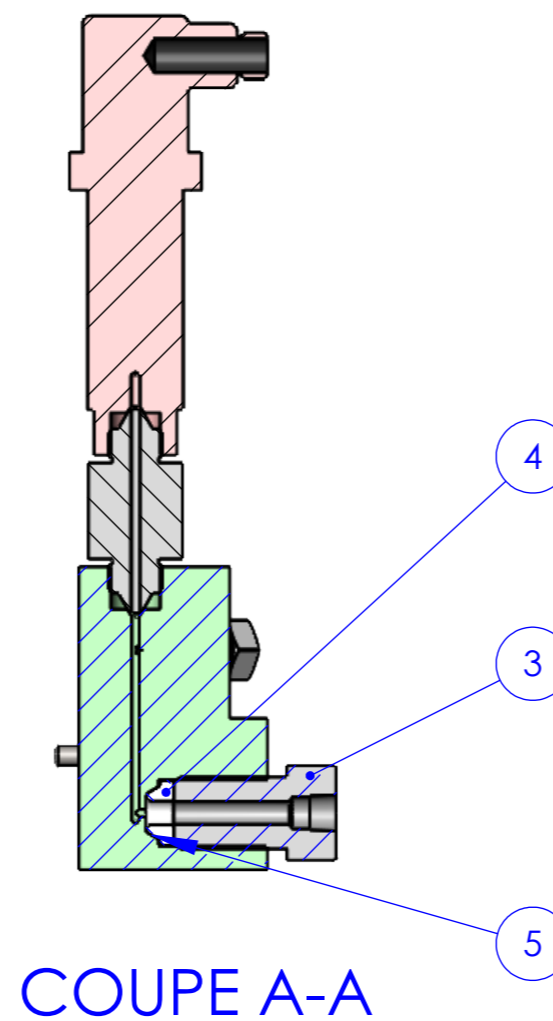
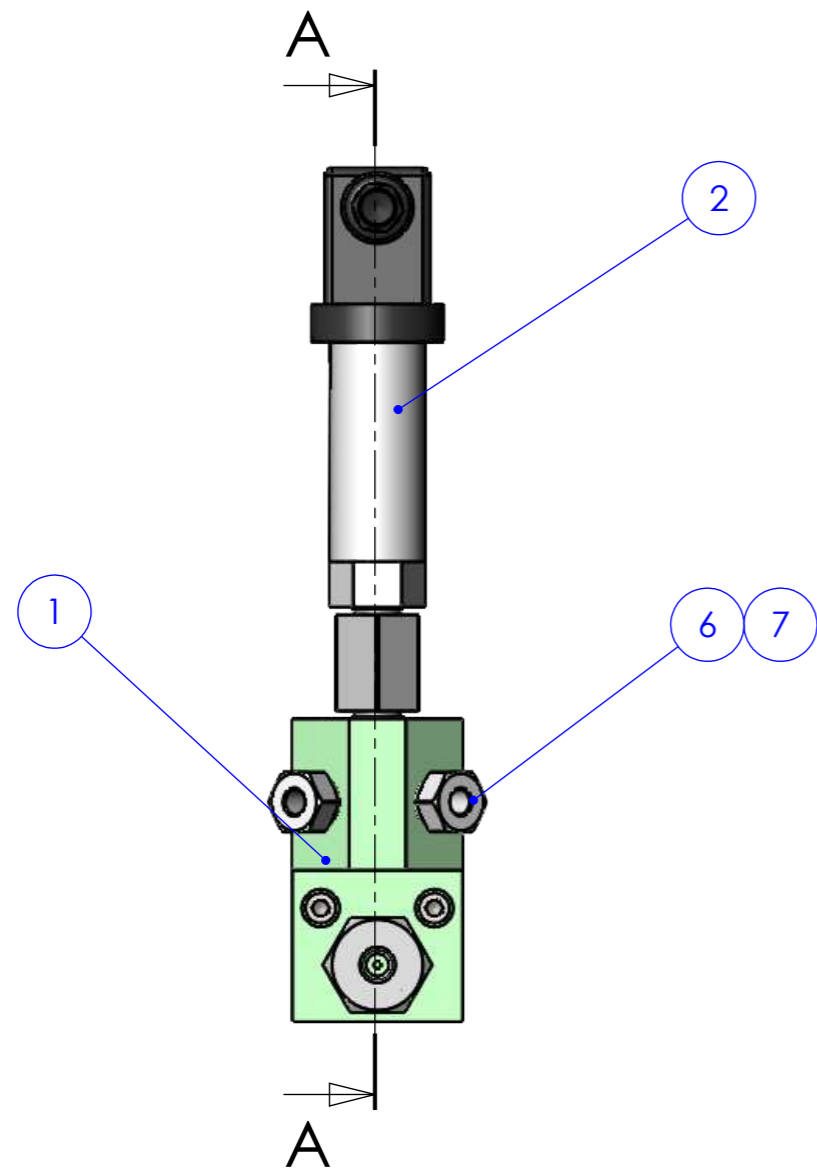
This drawing is the property of FloxLab. All unauthorized acts of copying, distribution or any other kind of use is prohibited

Weight	Designation	Draw by:	Date	Scale
--	ASM	DP	03/21	1:2 A3


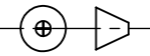
Cylinder H plunger Ø21 50cc 30ksi

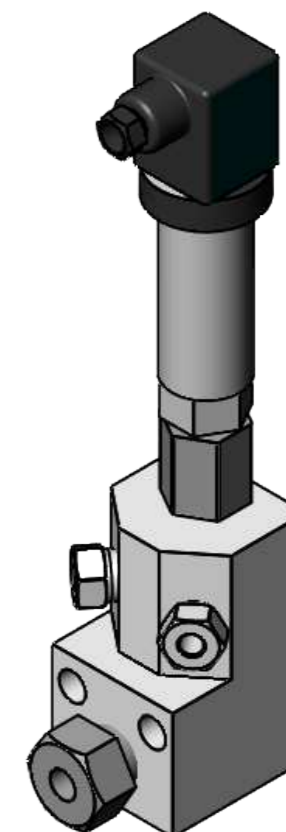
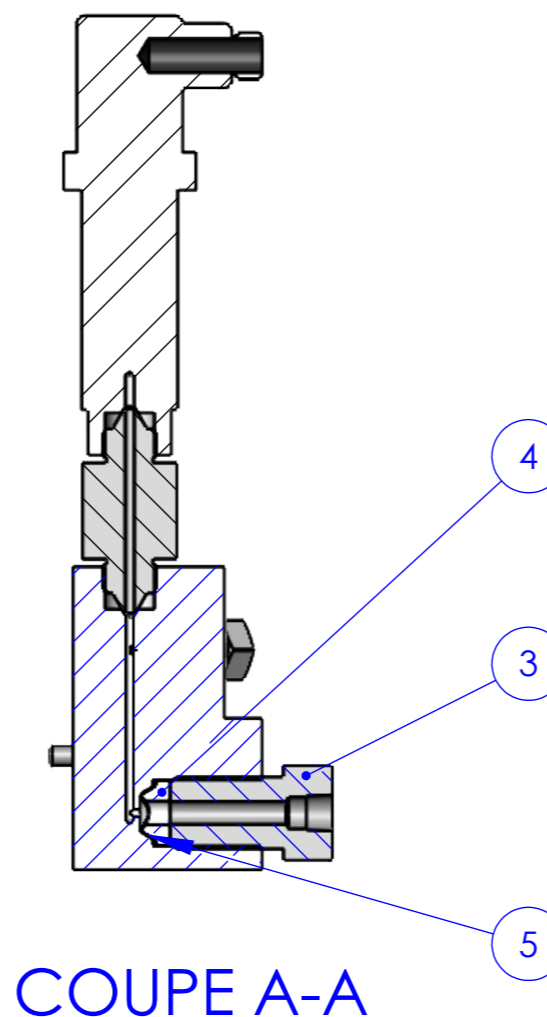
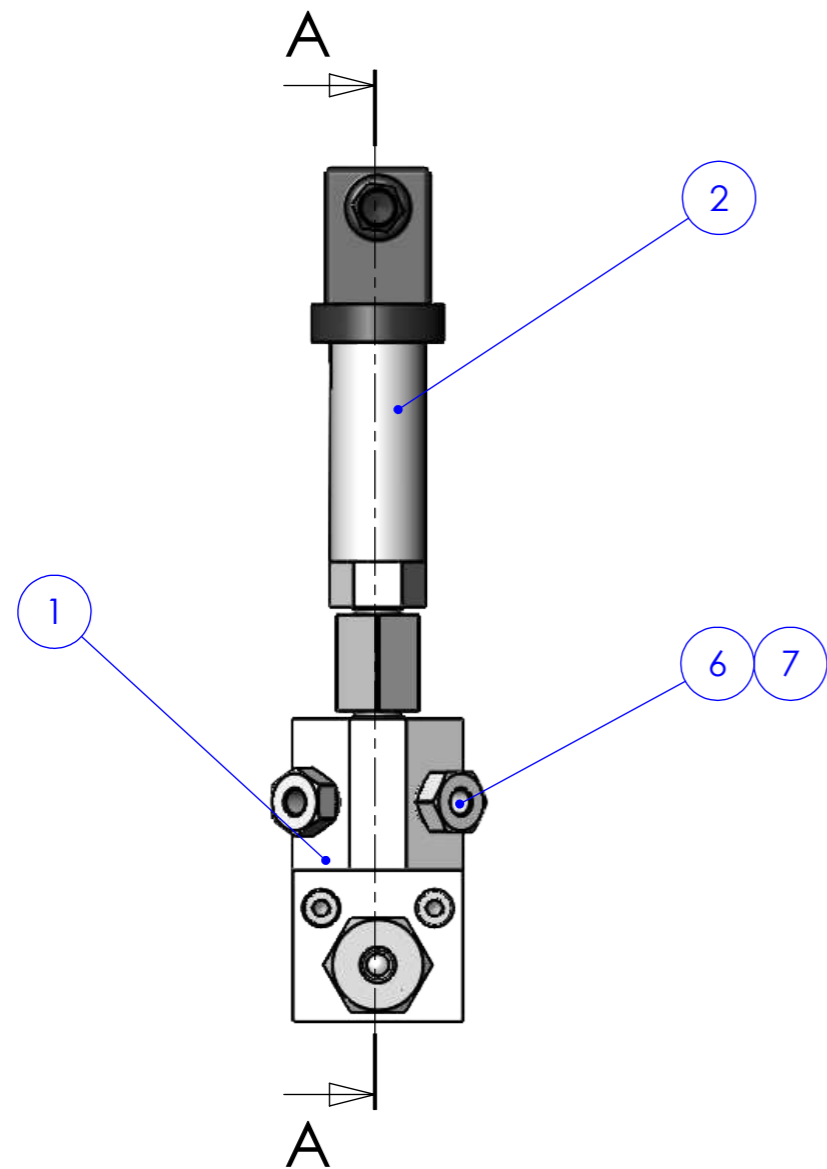
⊕	Drawing number	Folio
	CC-456-X	1




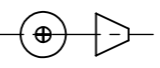


#	QTY	REFERENCE
1	1	0029650 - Sensor and safety disc support H 1/4HP
2	1	Transmetteur de pression piezo resisti 4-20mA-1/4-2100bar-0.1% Membrane titane
3	1	0022894 - Nut safety disc
4	1	0022896 - Safety disc stop
5	1	Rupture disc 1/4" angle seat - 33000psi - 4IN 33.00
6	2	Gland 1/4HP
7	2	Collar 1/4HP

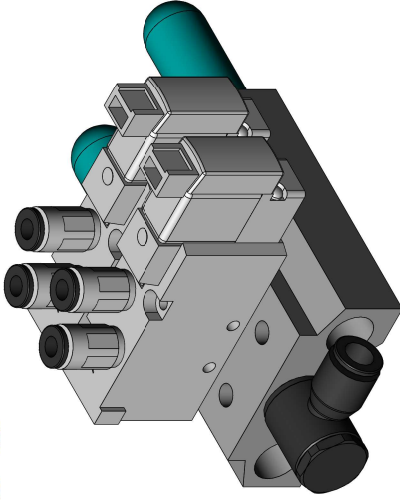
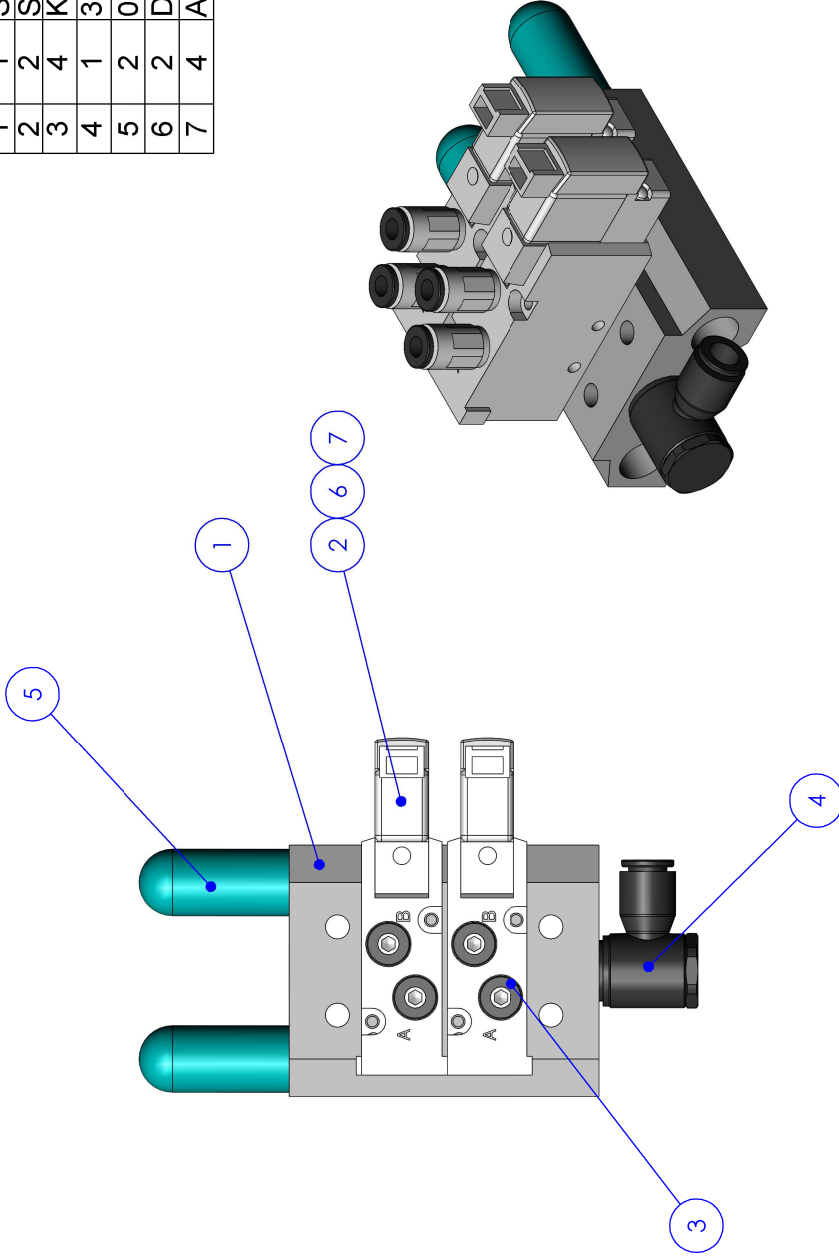
This drawing is the property of FloxLab. All unauthorized acts of copying, distribution or any other kind of use is prohibited				
Weight	Designation	Draw by:	Date	Scale
--	ASM	DP	03/21	1:2 A3
Sensor ESI 3ways H 1/4HP 30ksi				
	Drawing number SC-0657-X	Folio 1		



#	QTY	REFERENCE
1	1	0029610 - Sensor and safety disc support SS 1/4HP
2	1	Transmetteur de pression piezo resisti 4-20mA-1/4-2100bar-0.1% Membrane titane
3	1	0022894 - Nut safety disc
4	1	0022896 - Safety disc stop
5	1	Rupture disc 1/4" angle seat - 33000psi - 4IN 33.00
6	2	Gland 1/4HP
7	2	Collar 1/4HP

This drawing is the property of FloxLab. All unauthorized acts of copying, distribution or any other kind of use is prohibited				
Weight	Designation	Draw by:	Date	Scale
--	ASM	DP	03/21	1:2 A3
Sensor ESI 3ways SS 1/4HP 30ksi				
	Drawing number SC-0606-X			

#	QTY	REFERENCE
1	1	SS5YJ5-20-02-00F - Base mounted common
2	2	SYJ5120-5LOZ-M5 - Solenoid valve 5/2 mono
3	4	KQ2H01-32 - Pneumatic fitting 1/8od
4	1	3018-06-10 - Banjo G1/8 Ø6od
5	2	0674-00-10 - Pneumatic silencer
6	2	DXT 192-10-14 - Solenoid valve seal
7	4	AC00068 - Solenoid valve screw



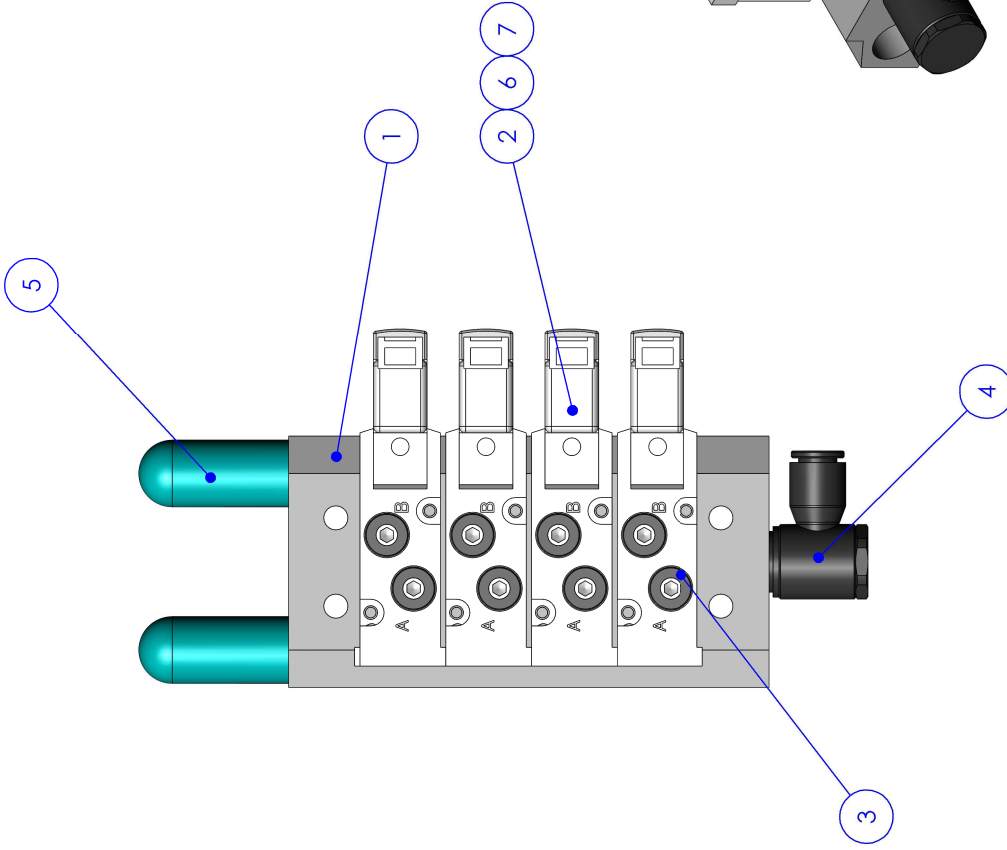
This drawing is the property of FloxLab. All unauthorized acts of copying, distribution or any other kind of use is prohibited

Weight	Designation	Draw by:	Date	Scale
--	ASM	DP	04/21	1:1 A3

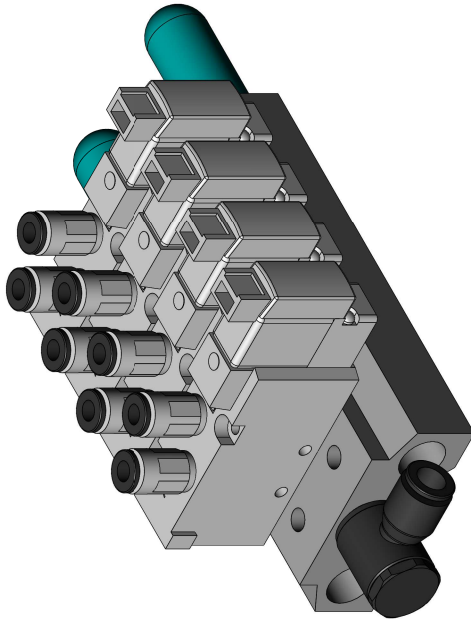
Pneumatic automatic single valve

Drawing number	Folio
VC-0590-0	1





#	QTY	REFERENCE
1	1	SS5YJ5-20-04-00F - Base mounted common
2	4	SYJ5120-5LOZ-M5 - Solenoid valve 5/2 mono
3	8	KQ2H01-32 - Pneumatic fitting 1/8od
4	1	3018-06-10 - Banjo G1/8 Ø6od
5	2	0674-00-10 - Pneumatic silencer
6	4	DXT 192-10-14 - Solenoid valve seal
7	8	AC00068 - Solenoid valve screw

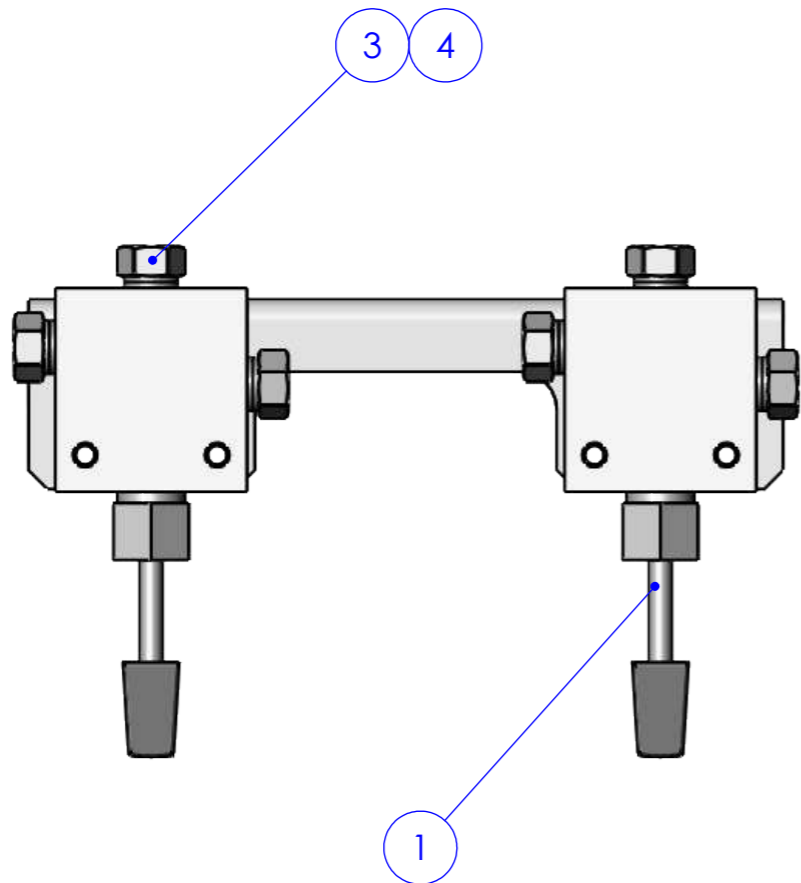
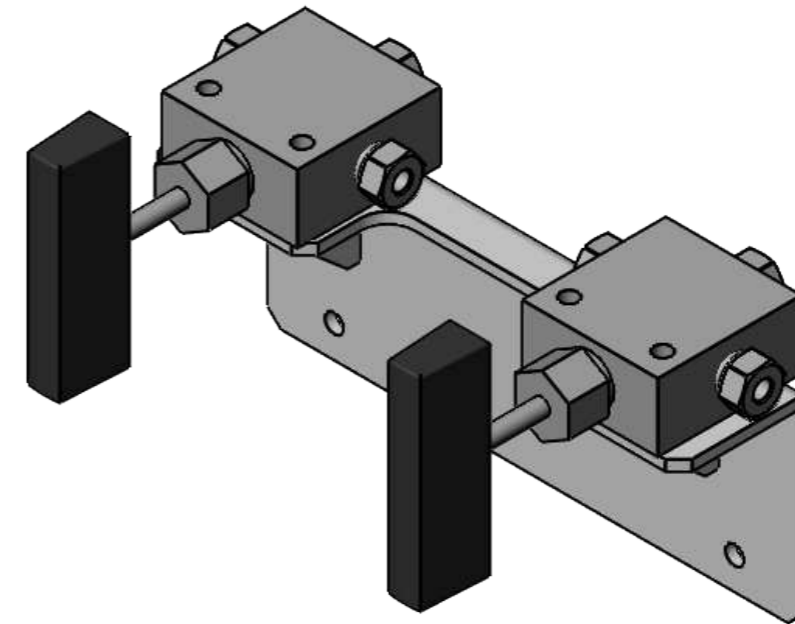
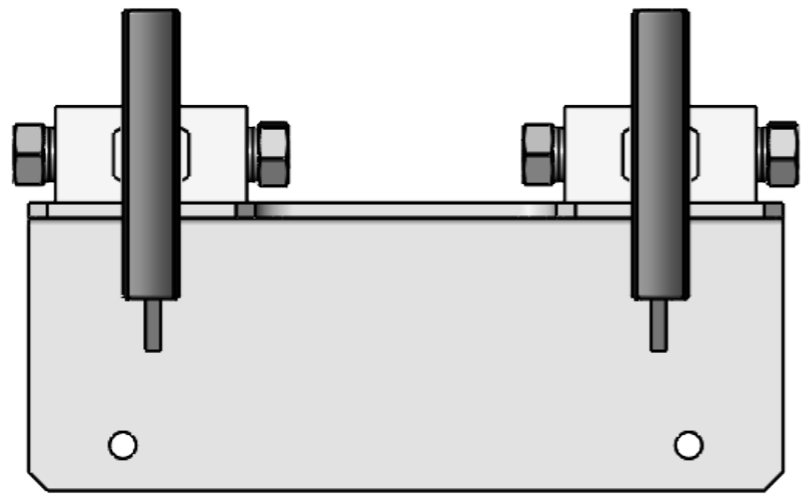


This drawing is the property of FloxLab. All unauthorized acts of copying, distribution or any other kind of use is prohibited


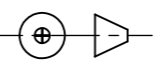
Weight	Designation	Draw by:	Date	Scale
--	ASM	DP	04/21	1:1 A3

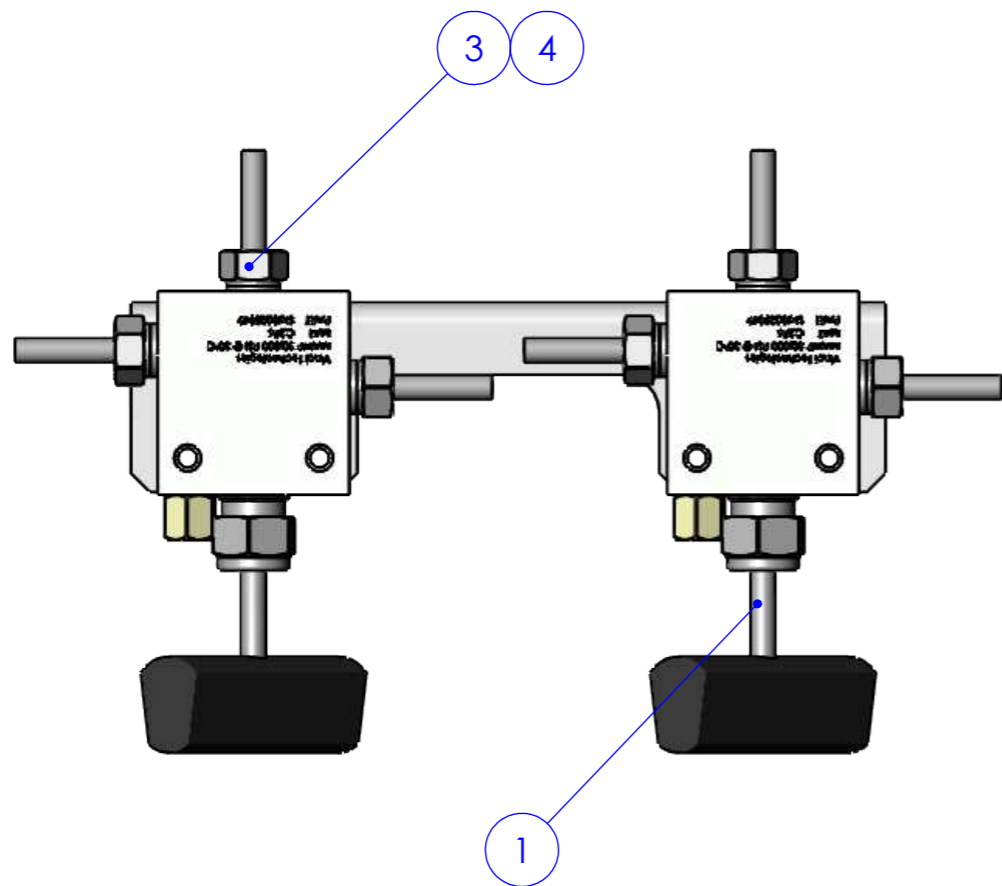
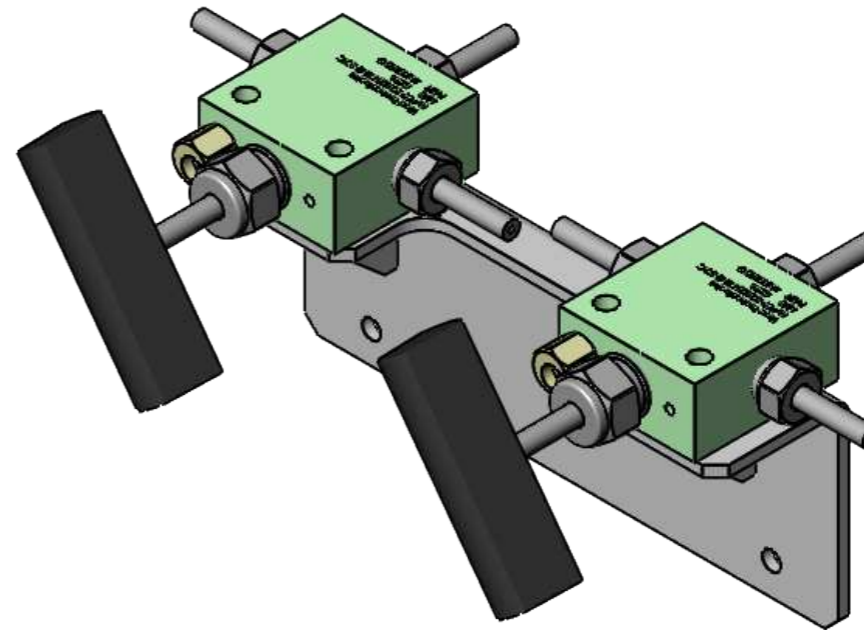
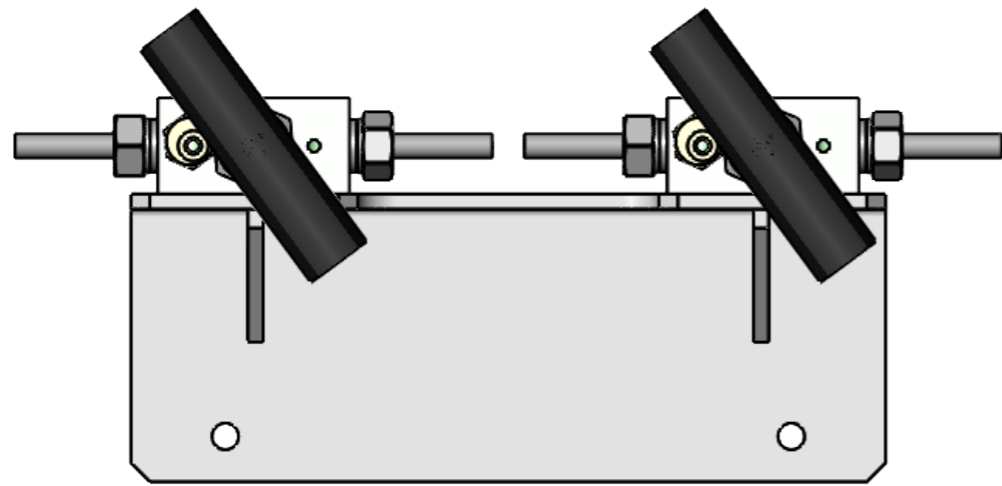
Pneumatic automatic dual valve		Folio	
		Drawing number	1
		VC-0591-0	




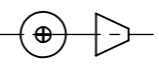


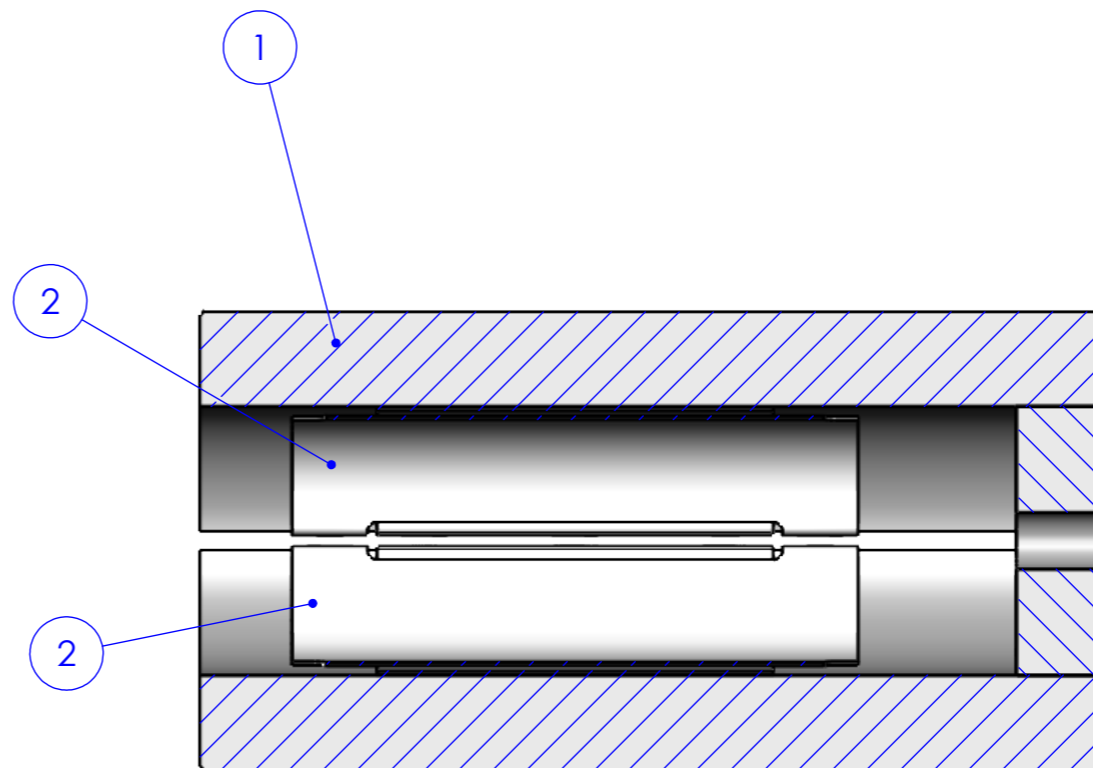
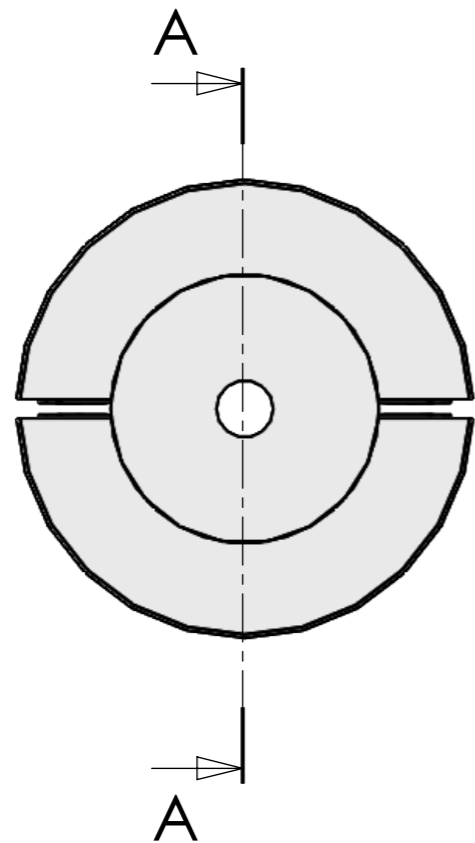
#	QTY	REFERENCE
1	2	Stem asm with gland and packing - SS - RK-30UV4-SS
2	6	Gland 1/4HP
3	6	Collar 1/4HP

This drawing is the property of FloxLab. All unauthorized acts of copying, distribution or any other kind of use is prohibited				
Weight	Designation	Draw by:	Date	Scale
--	ASM	DP	03/21	1:2 A3
Manual valves SS 30ksi				
	Drawing number VC-502-X	Folio 1		




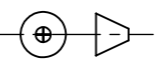
#	QTY	REFERENCE
1	2	Stem asm with gland and packing - HC - RK-30UV4-HC
2	6	Gland 1/4HP
3	6	Collar 1/4HP

This drawing is the property of FloxLab. All unauthorized acts of copying, distribution or any other kind of use is prohibited				
Weight	Designation	Draw by:	Date	Scale
--	ASM	DP	03/21	1:2 A3
Manual valves H 30ksi				
	Drawing number VC-552-X	Folio 1		



COUPE A-A

#	QTY	REFERENCE
1	1	HC-0856-X - Insulating mantle for heating jacket Ø64
2	2	0024976-0024977 - Heating shell Ø64

This drawing is the property of FloxLab. All unauthorized acts of copying, distribution or any other kind of use is prohibited				
Weight	Designation	Draw by:	Date	Scale
--	ASM	DP	04/21	1:2 A3
Heating jacket Ø64id stroke 150				
	Drawing number HC-0856-X	Folio 1		